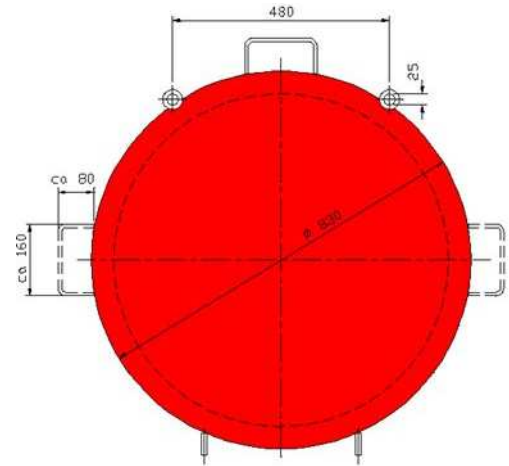


1.2 Channel Inflow Cover BL/KMS-830

Article Index: 111(NS), 121(ES)

Heavy design
Round form
Mobile system

Dimensions:		
Standard	approx.	Ø 830 x 8 mm
Weight:		
Standard	approx.	35.5 kg



1.2.1 Description

Suitable for crack-free surfaces with up to 40 mm of floor/ground unevenness on concrete and asphalt, e.g. concrete grooves, standard inflows according to DIN, etc.

The cover body is designed as a heavy, massive steel plate. The weight of approx. 35.5 kg is necessary in order to compress a special seal applied around the bottom side and to adapt the seal to the unevenness of the floor/ground. The cover can be driven over by light vehicles such as motorcycles, passenger cars, forklifts and also, if needed by trucks without being damaged.

In order to accommodate transport by hand, two lateral handles are provided and one handle on the top. For

safe conveyance to the location of employment (in conformity with accident prevention measures), we recommend a "bag truck" as transport aid. In connection with this, two massive pins have been included on the side across from the top-side handle and the wall mount eyelets with which the cover can be lifted by Transport Cart BL/TKN.

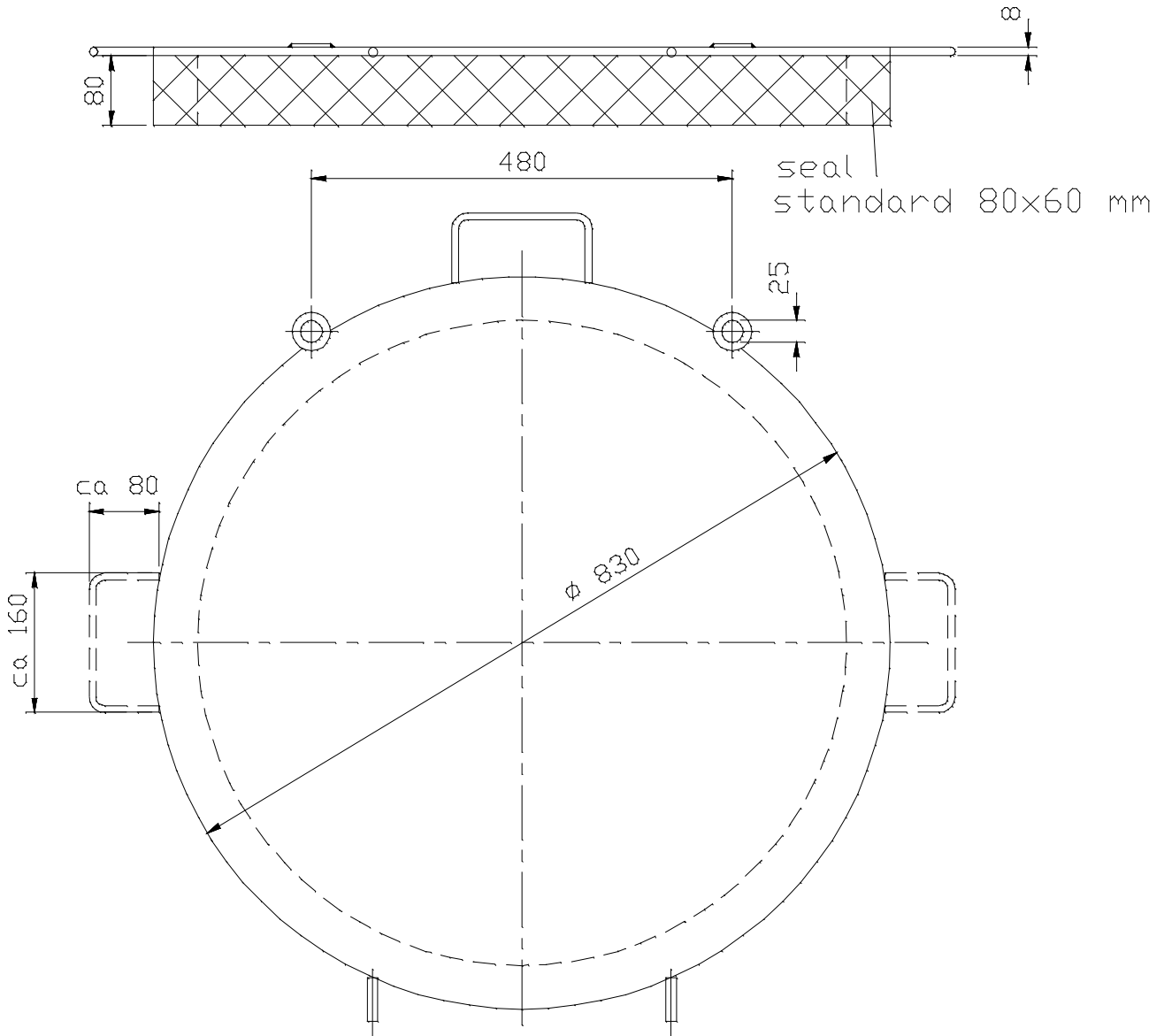
The barrier body is made of normal steel, primed, painted or powder coated, generally with a red finish ("traffic red" RAL 3020).

Upon request, the cover can be galvanized or provided in a superior-alloy steel design.

Features:

- Universal implementation, capable of being driven over
- Manufactured according to LGA-Guideline 3/93 for emergency systems
- Quality-monitored (Ing.-Büro Blobel, Friedberg, Germany)
- Field-tested

1.2.2 Drawing



BL/KMS-830 (Channel inflow cover – mobile system)

Sealed under its own weight – heavy design – capable of being driven over

Dimensions: approx. \varnothing 830 x 8 mm

Weight: approx. 35.5 kg

Europe

Blobel Umwelttechnik GmbH

Ziegeleistraße 5
86368 Gersthofen, Germany

Telephone: +49 (0)821 498190-0
Telefax: +49 (0)821 498190-30

email: info@blobel.de
Web: www.blobel.de

North America / Canada

BLOBEL Environmental Engineering LLC

270 Presidential Drive
Wilmington, Delaware 19807, USA

Telephone: +1 302-353-1555
Telefax: +1 302-288-3753
Mobile: +1-215-666-2267

email: info@blobel.us
Web: www.blobel.com

Asia / Pacific / South America

Blobel Environmental Engineering

6/41 Belgrave Street
Sydney NSW 2024, Australia

Telephone: +61 (0)2/93 69 35 04
Mobile: +61 (0) 4 19 27 94 81

email: mail@blobel.com
Web: www.blobel.com