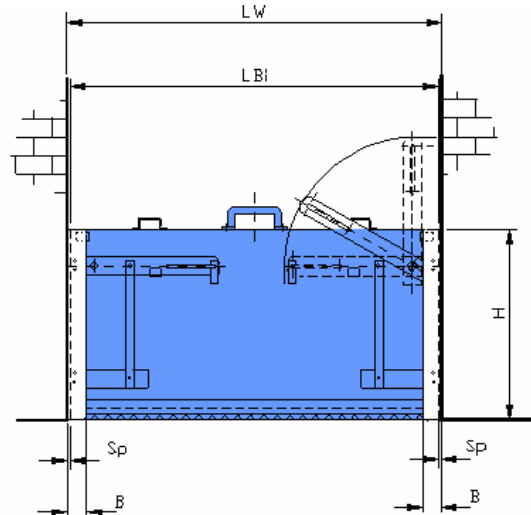


1.4 Floodwater barrier TYPE BL/HTL-TR

Article Index: 315

Barrier, slide-insert Special design for installation within the opening

Dimensions:	
Standard height	400 to 600 mm
Special situations	upon request
Standard length	up to 2000 mm
Special situations	upon request
Width	50 mm



1.4.1 Description

Suitable for crack-free surfaces with ground/floor unevenness of up to 15 mm, e.g. concrete, corrugated sheet metal, tiles, stones, etc.

The floodwater barrier consists of a hollow, aluminium body section with lower edge protection. A compressible, highly-adaptable special seal is applied to the bottom side.

The floodwater barrier is rigidly installed universally mounted in two "U"-shaped mounting devices by way of preference within a door/gate opening, between walls, etc. and sealed against the building or structure.

With a special version, mounting is also possible outside of the opening.

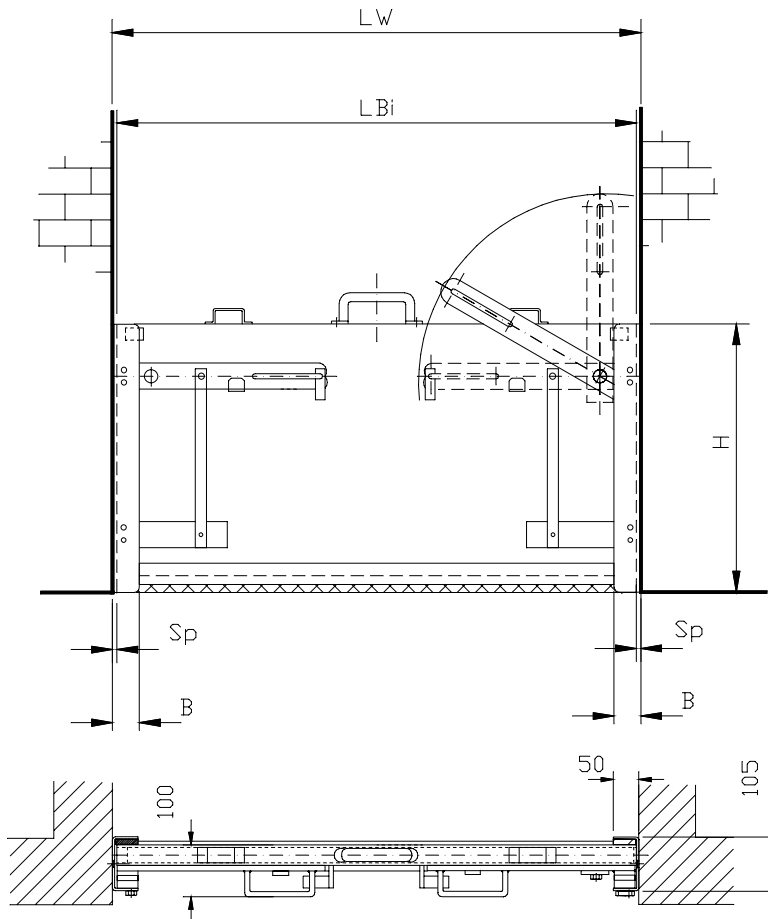
Two rotating tensioning levers with four engagement positions are mounted on the barrier body. With these, the necessary force can be applied in the guide rails and against the surface in order to lock and seal the unit and provide for a reliable seal.

Wall mounts are included in the scope of delivery in order to provide for orderly storage. Steel components are galvanized. The aluminium barrier sections have a polished bare metal finish. Paint finish or powder coating upon request.

Features:

- Uncomplicated, ease in handling
- Design-tested (LGA, Trade Supervision Department, Bavaria, Germany) as BL/BTL-TR
- Quality-controlled (Ing.-Büro Blobel, Friedberg, Germany)
- Field-tested

1.4.2 Drawing – within the opening

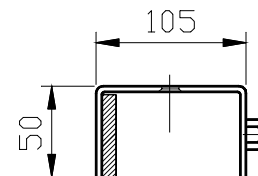


BL /HTL-TR (Floodwater barrier, rapid closure, slide-insert)

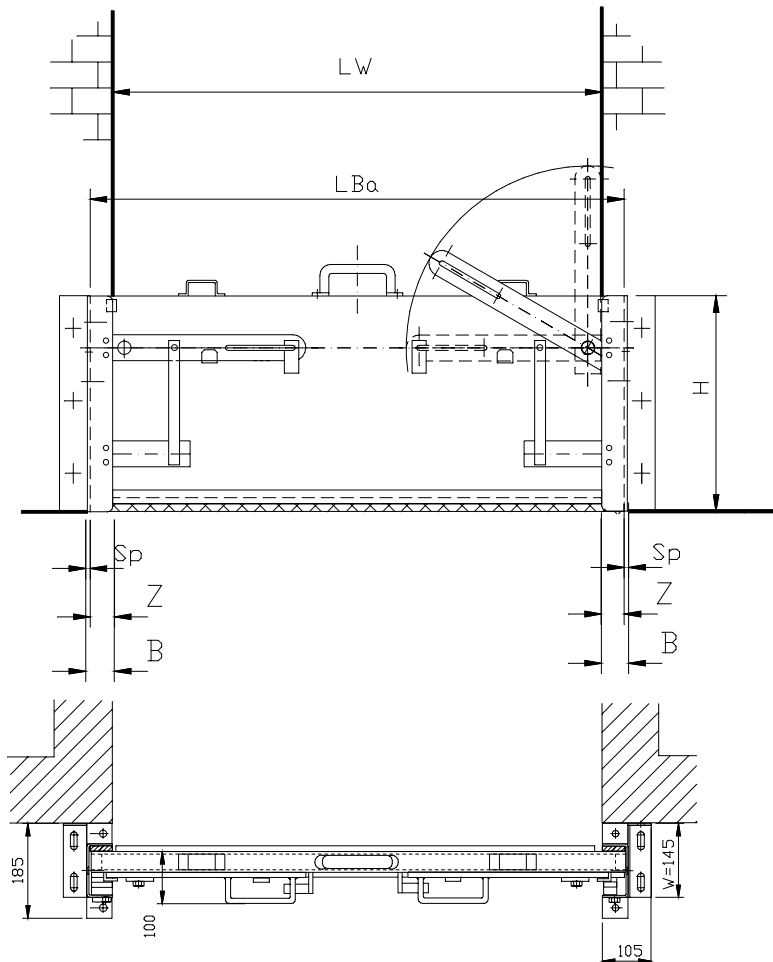
Table of dimensions for specified dimension Lwi (Lwi = length of barrier, within opening)

H / 50

Height H [mm]	Lwi [mm]	
300	up to 2500	$L_{wi} = L_w - (2 \times Sp_1)$ $Sp_1 = 15 \text{ mm}$
400		
500		
600		

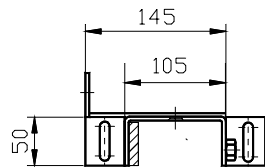


1.4.3 Drawing – in front of the opening



BL / HTL-TR (Floodwater barrier, inside door opening, slide-insert)
 Table of dimensions for specified dimension L_{Ba}
 (L_{Ba} = length of barrier, in front of the opening)

H / 50		
Height H [mm]	L_{Wa} [mm]	
300	up to 2500	$L_{Ba} = LW + 2 Z$
400		$Z = \text{Ad measurement} = 35 \text{ mm}$
500		$Sp\ 1 = 10 \text{ mm}$
600		



Europe

Blobel Umwelttechnik GmbH

Ziegeleistraße 5
86368 Gersthofen, Germany

Telephone: +49 (0)821 498190-0
Telefax: +49 (0)821 498190-30

email: info@blobel.de
Web: www.blobel.de

North America / Canada

BLOBEL Environmental Engineering LLC

270 Presidential Drive
Wilmington, Delaware 19807, USA

Telephone: +1 302-353-1555
Telefax: +1 302-288-3753
Mobile: +1-215-666-2267

email: info@blobel.us
Web: www.blobel.com

Asia / Pacific / South America

Blobel Environmental Engineering

6/41 Belgrave Street
Sydney NSW 2024, Australia

Telephone: +61 (0)2/93 69 35 04
Mobile: +61 (0) 4 19 27 94 81

email: mail@blobel.com
Web: www.blobel.com