

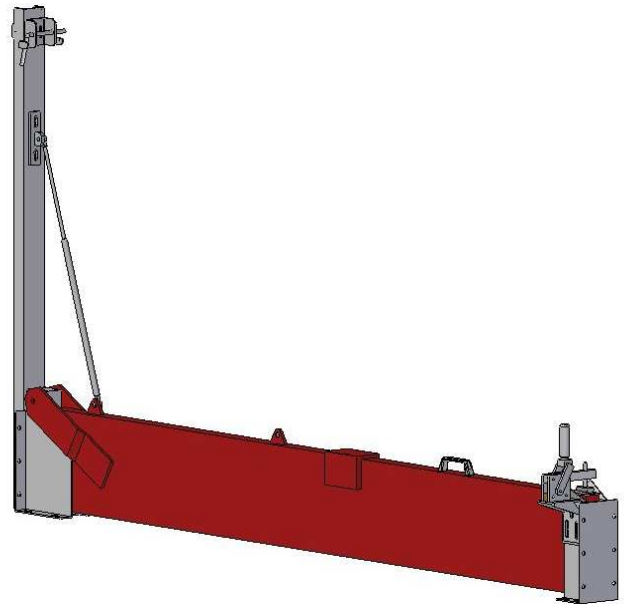
2.1 Retention barrier type BL/BED

Article root number: 031

Barrier – raising capability on one side Modular system "D"

Dimensions:

Standard height		100 to 500 mm
Special situations	up to	750 mm
Standard length	up to	5000 mm
Special situations		upon request
Width		50 mm



2.1.1 Description

The Retention Barrier forms the basis for a modular system for incremental build-up for stationary systems with rotating capability on one side, manual or automatic versions.

Suitable for crack-free surfaces with up to 20 mm (± 10 mm) of floor/ground unevenness, e.g. concrete, corrugated sheet metal, tiles, stones, etc.

The Spill Barrier is comprised of a trapezoidal, integral hollow aluminium profiled body. A compressible, highly adaptable special seal is affixed to the lower side and end faces. The seal is chemical resistant and fire retardant according to DIN 4102-B1.

The rotating mount and the tensioning device are securely mounted next to the opening to be secured and then sealed. The barrier body is firmly bolted into the hinge. In stand by, the barrier stands vertically and

is protected against being closed unintentionally. This is in line with German UVV, accident prevention guidelines.

To close, the securing device is unlocked and the Retention Barrier is lowered down manually. With a heavy duty lever, the Spill Barrier is locked into place. The contact pressure of the tensioning device is adjustable.

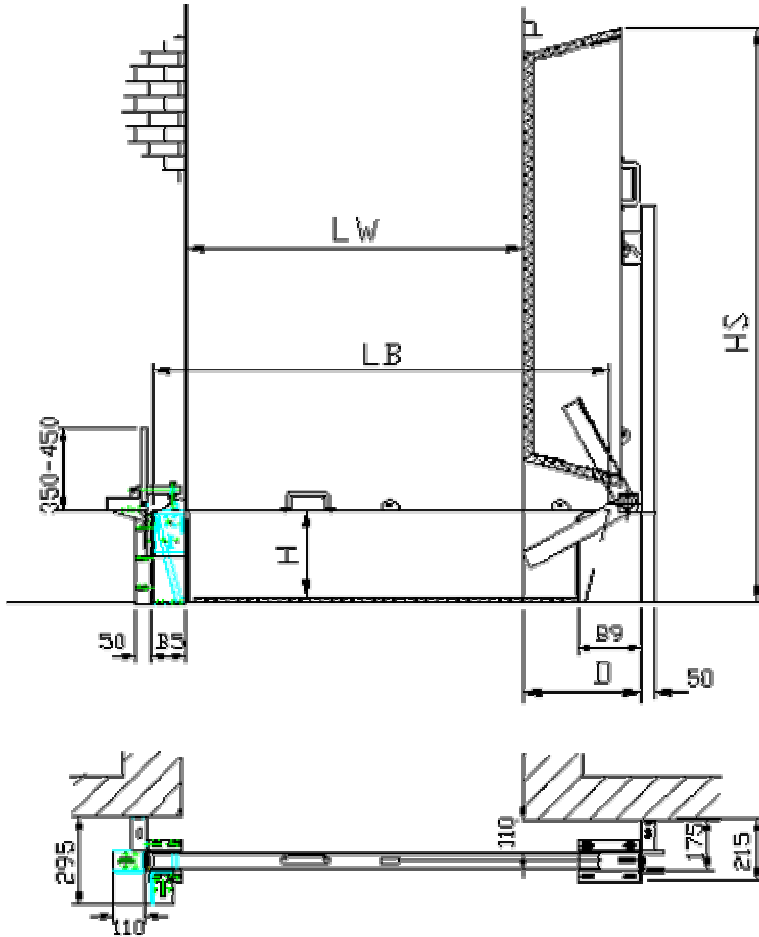
With certain lengths and heights, the closure barrier is counterbalanced with weights. Gas-charged springs are standard for small and medium-size barriers, hand cranks for large and extremely large barriers.

Barrier bodies and mounting fixtures are furnished with a red paint finish, preferably "traffic red" RAL 3020. The remaining metal components are galvanized or made of aluminium. Stainless steel upon request.

Features:

- Ease of use and variable
- Design-tested (LGA, Trade Supervision Department - Bavaria, Germany)
- Quality-controlled (LGA, Materials Testing Institute, Nuremberg, Germany)
- Tested by the fire-fighting industry (IdF, Fire Brigade Institute, Heyrothsberge, Germany)

2.1.2 Drawing



BL / BED (Barrier - raising capability on one side – lever to the side)

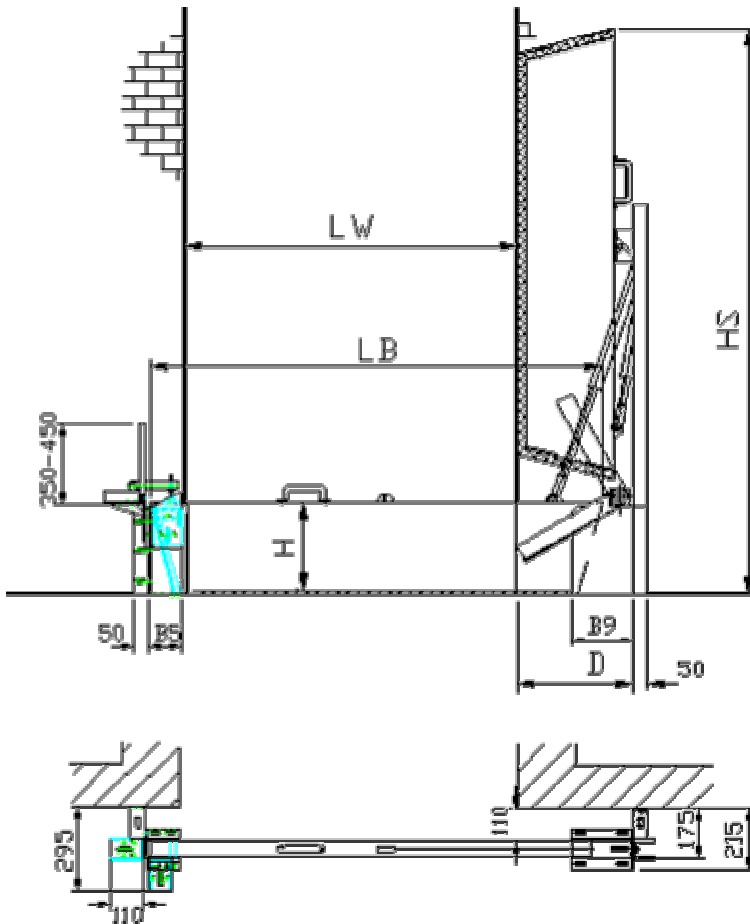
Table of dimensions for specified dimension LB

LB = barrier length LW = clearance width Z = ad measurement $LB = LW + Z_{ED}$

Minimum room height: $HS = LB + H + 150\text{mm}$ $W_{5,9} = 105\text{mm}$

Retention Height H [mm]	B5	D [mm]	Z_{ED} [mm]	Retention Height H [mm]	B5	D [mm]	Z_{ED} [mm]
100	120	220	195	450	170	570	595
150	120	270	245	500	185	620	655
200	120	320	295	550	195	670	720
250	120	370	355	600	210	720	785
300	130	420	405	650	225	770	845
350	150	470	465	700	240	820	910
400	155	520	530	750	250	870	975

2.1.3 Drawing – "with gas-charged spring"



BL / BED (Barrier - raising capability on one side – gas-charged spring)

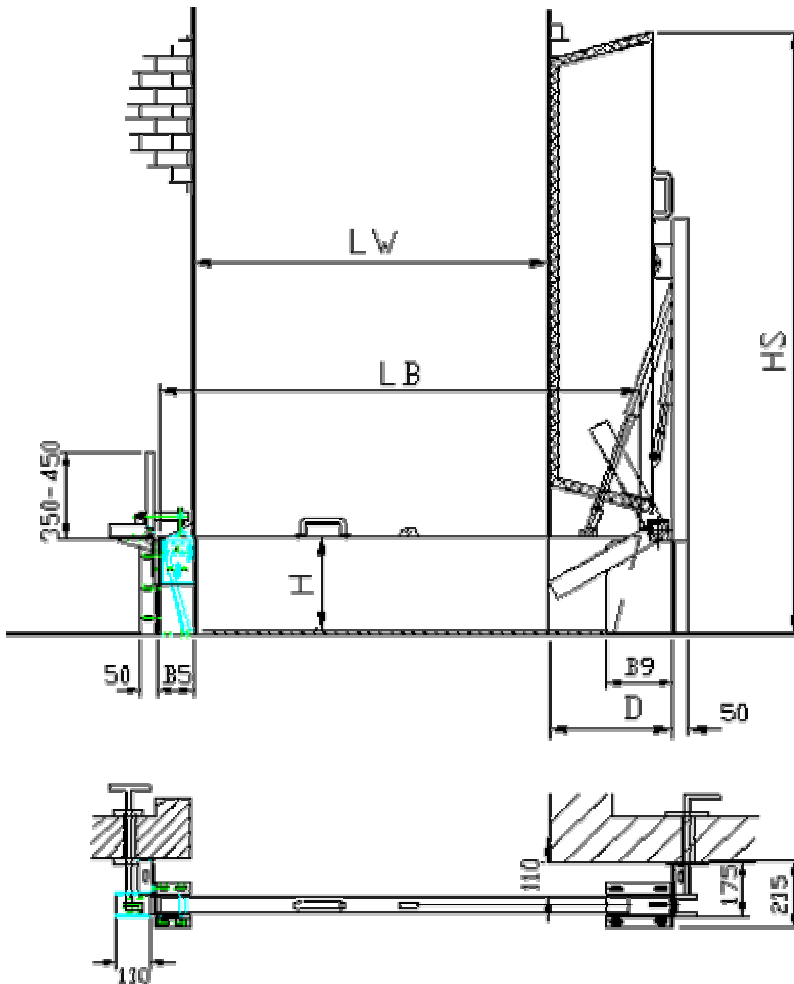
Table of dimensions for specified dimension LB

LB = barrier length LW = clearance width Z = ad measurement LB = LW + Z_{ED}

Minimum room height: HS = LB + H + 150mm W_{5,9} = 105mm

Retention Height H [mm]	B5	D [mm]	Z _{ED} [mm]	Retention Height H [mm]	B5	D [mm]	Z _{ED} [mm]
100	120	220	195	450	170	570	595
150	120	270	245	500	185	620	655
200	120	320	295	550	195	670	720
250	120	370	355	600	210	720	785
300	130	420	405	650	225	770	845
350	150	470	465	700	240	820	910
400	155	520	530	750	250	870	975

2.1.4 Drawing – “operation through the wall”



BL / BED (Barrier - raising capability on one side – lever to the side)

Table of dimensions for specified dimension LB

LB = barrier length LW = clearance width Z = admeasurements $LB = LW + Z_{ED}$

Minimum room height: $HS = LB + H + 150\text{mm}$ $W_{5,9} = 105\text{mm}$

Retention Height H [mm]	B5	D [mm]	Z _{ED} [mm]	Retention Height H [mm]	B5	D [mm]	Z _{ED} [mm]
100	120	220	195	450	170	570	595
150	120	270	245	500	185	620	655
200	120	320	295	550	195	670	720
250	120	370	355	600	210	720	785
300	130	420	405	650	225	770	845
350	150	470	465	700	240	820	910
400	155	520	530	750	250	870	975

Europe

Blobel Umwelttechnik GmbH

Ziegeleistraße 5
86368 Gersthofen, Germany

Telephone: +49 (0)821 498190-0
Telefax: +49 (0)821 498190-30

email: info@blobel.de
Web: www.blobel.de

North America / Canada

BLOBEL Environmental Engineering LLC

270 Presidential Drive
Wilmington, Delaware 19807, USA

Telephone: +1 302-353-1555
Telefax: +1 302-288-3753
Mobile: +1-215-666-2267

email: info@blobel.us
Web: www.blobel.com

Asia / Pacific / South America

Blobel Environmental Engineering

6/41 Belgrave Street
Sydney NSW 2024, Australia

Telephone: +61 (0)2/93 69 35 04
Mobile: +61 (0) 4 19 27 94 81

email: mail@blobel.com
Web: www.blobel.com