

5.3 Stand BL/STD

Article Index: 172

Universal design
U-shaped form
Dual storage

Dimensions:		
Standard	670 x 610 x 870 mm	
Weight:		
Standard	approx.	5.0 kg

Suitable for the storage and the leading of two channel inflow covering systems of the BLOBEL program BL/KMS, BL/KEG and BL/KSP; square/rectangular and round design with a distance of 480 mm between mounting eyelets.

5.3.1 Description

The double stand features a U-shaped, curved steel pipe. For the attainment of a sturdy support, two pipes are welded transversely to one side of the U-shape. Located on the opposite side are four receiving hooks for the channel inflow covers. The covers can be removed by hand or by means of Transport Cart BL/TKN and taken safely to the location where they will be implemented.

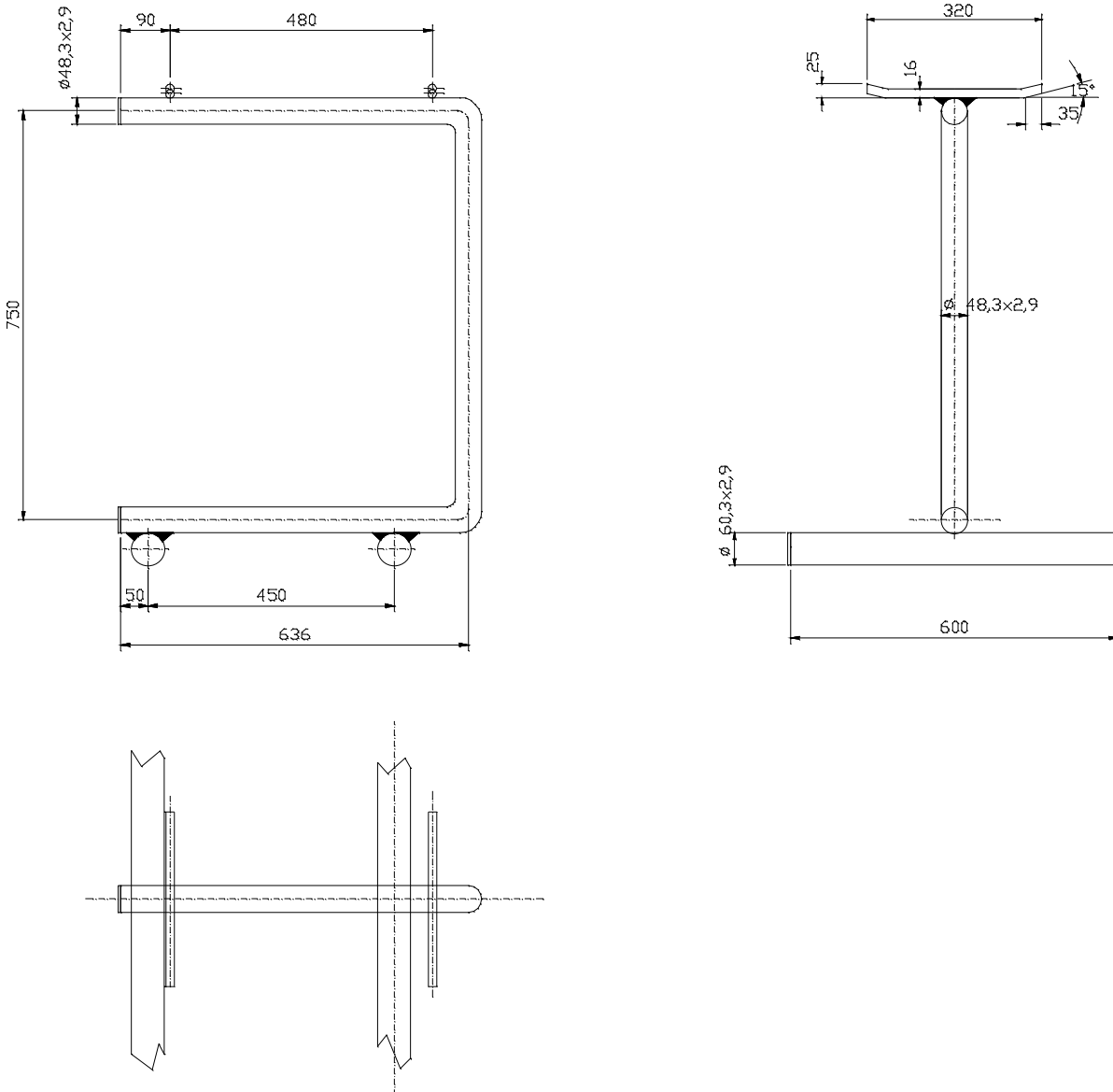
The design of the carrier consists of normal steel, primed, painted or powder-coated, generally with a red finish ("traffic red" RAL 3020).

Upon request, the stand can be galvanized or provided in a superior-alloy steel design.

Features:

- **Universal implementation**
- **Sturdy support**
- **Quality-monitored (Ing.-Büro Blobel, Friedberg, Germany)**
- **Field-tested**

5.3.2 Drawing



BL/STD (Dual stand – universal design)

for all standard channel inflow covers – types KEG, KMS, KSP

Dimensions: approx. 670 x 610 x 870 mm

Weight: approx. 5.0 kg

Europe

Blobel Umwelttechnik GmbH

Ziegeleistraße 5
86368 Gersthofen, Germany

Telephone: +49 (0)821 498190-0
Telefax: +49 (0)821 498190-30

email: info@blobel.de
Web: www.blobel.de

North America / Canada

BLOBEL Environmental Engineering LLC

270 Presidential Drive
Wilmington, Delaware 19807, USA

Telephone: +1 302-353-1555
Telefax: +1 302-288-3753
Mobile: +1-215-666-2267

email: info@blobel.us
Web: www.blobel.com

Asia / Pacific / South America

Blobel Environmental Engineering

6/41 Belgrave Street
Sydney NSW 2024, Australia

Telephone: +61 (0)2/93 69 35 04
Mobile: +61 (0) 4 19 27 94 81

email: mail@blobel.com
Web: www.blobel.com